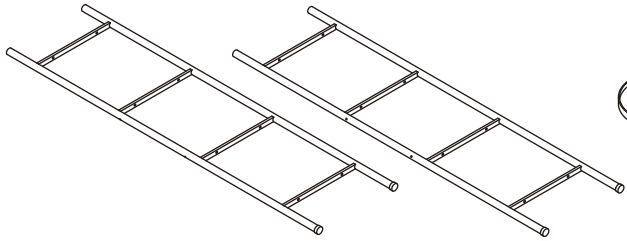
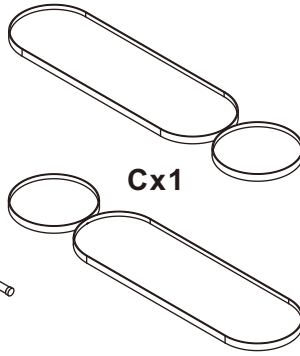


ASSEMBLY INSTRUCTION



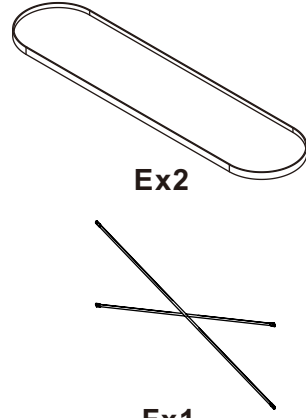
Ax1

Bx1



Cx1

Dx1



Ex2

Fx1

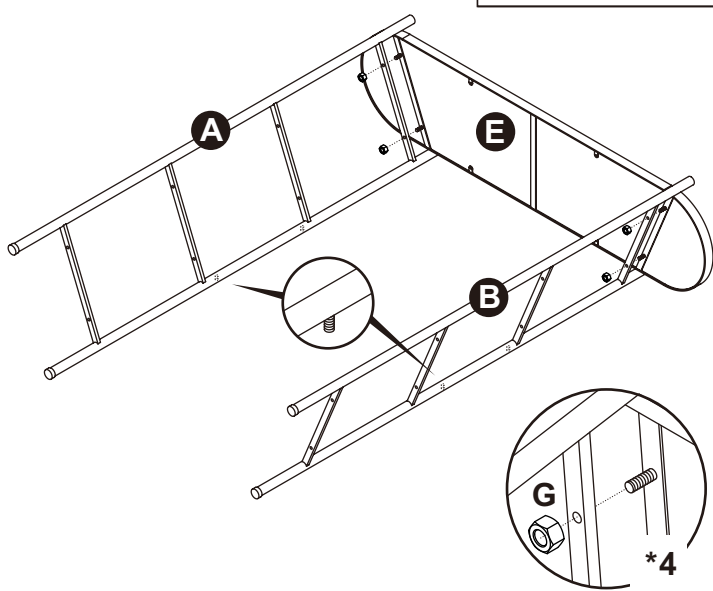


Gx20

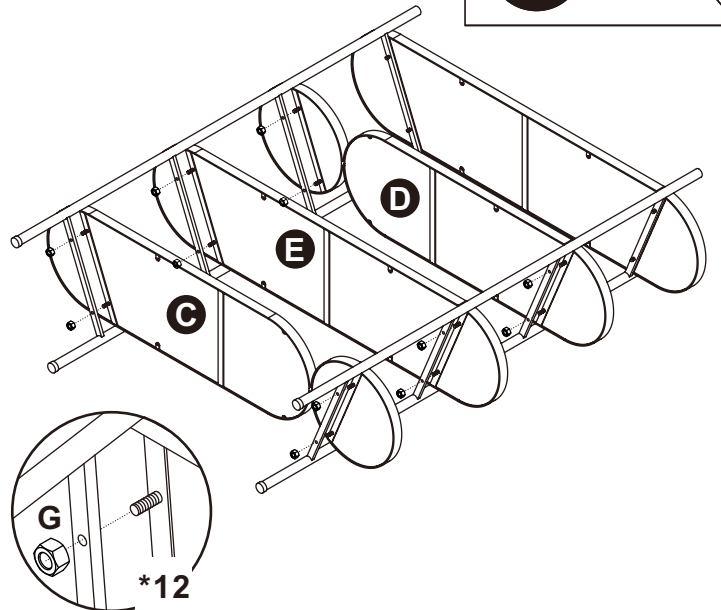


Jx1

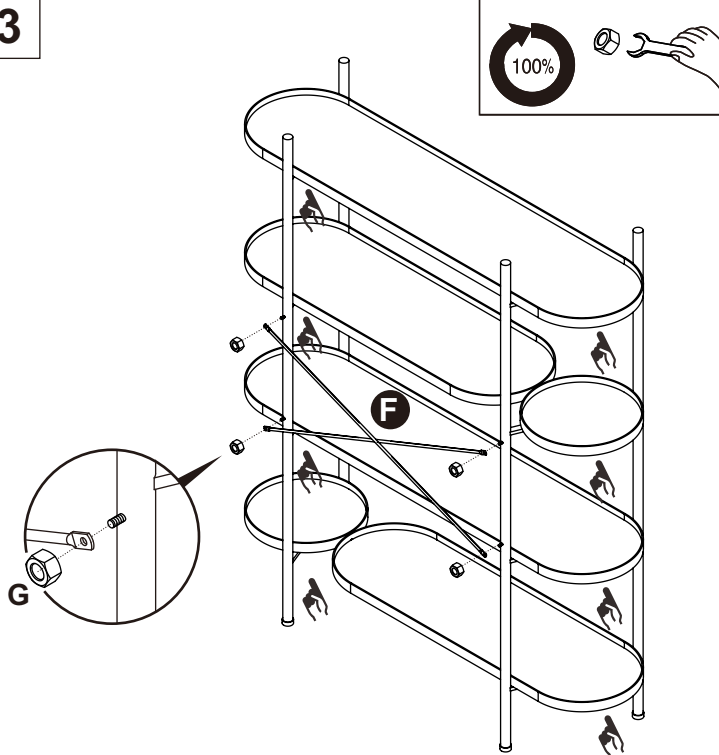
1



2



3



4

